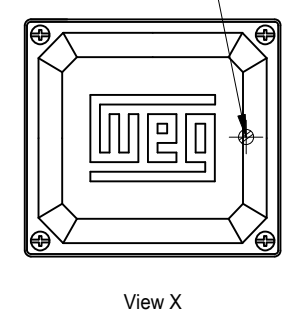
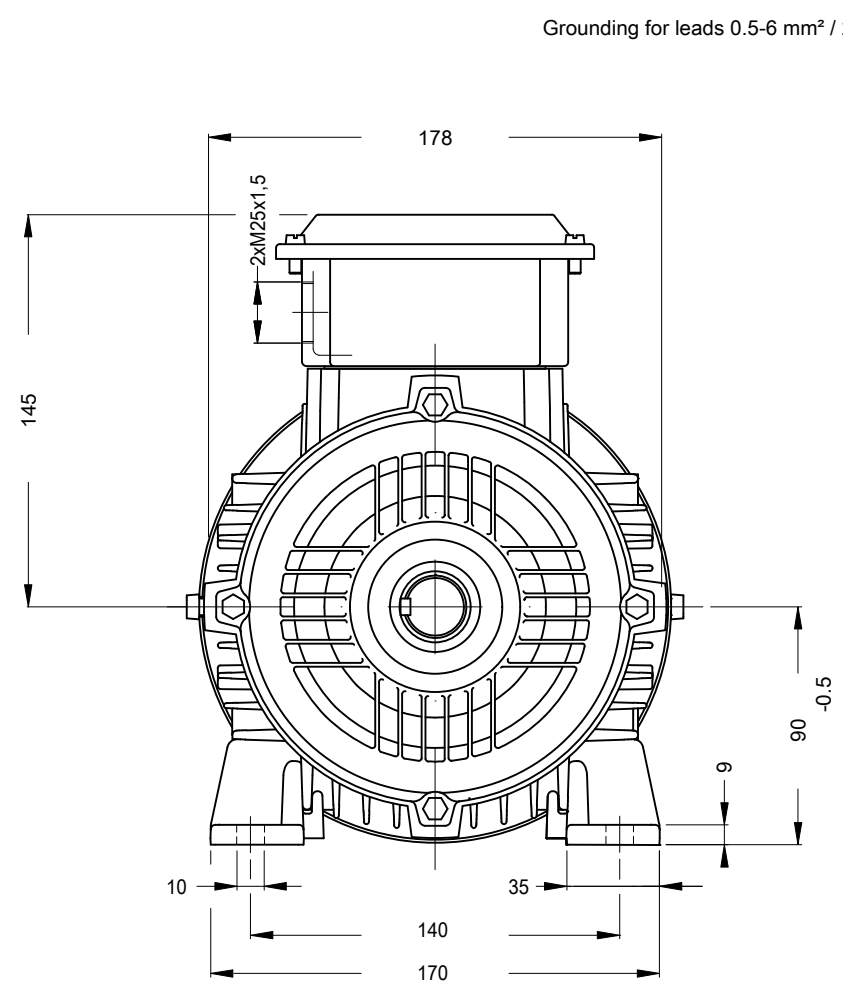
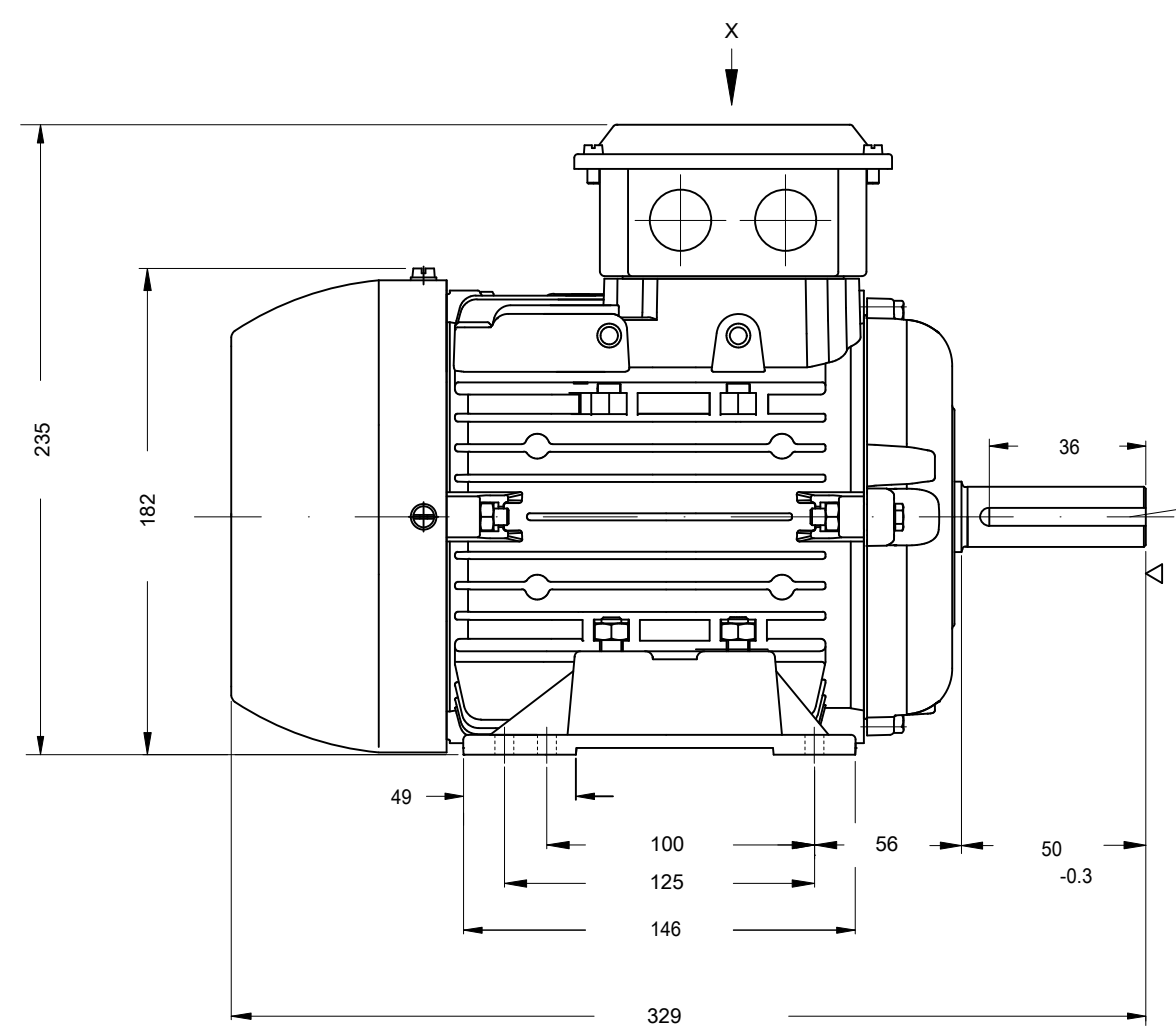


1 2 3 4 5 6

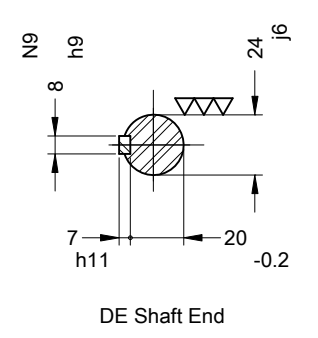
A  
B  
C  
D  
E



Grounding for leads 0.5-6 mm<sup>2</sup> / 20-10 AWG



Center hole  
DM8 WEG WPR-7339  
(DIN 332)

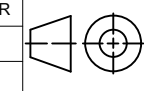


Dimensions in mm

Color RAL 7000					
Painting plan 201A					
Mounting B3T					
				PIRWBUSER	00
ECM	LOC	SUMMARY OF MODIFICATIONS		EXECUTED	CHECKED
EXECUTED	PIRWBUSER	THREE PH. MOTOR W20			
CHECKED		FRAME 90S/L IP55 TEFC			
RELEASED					
REL. DATE	WEG	NANTONG	[Global Sales]	SHEET	1 / 1

1.5 kW 04 Poles 50 Hz

A



PREVIEW  
WDD 00

