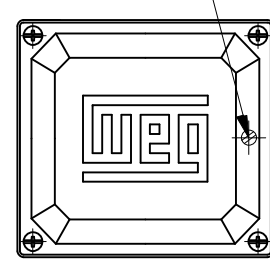
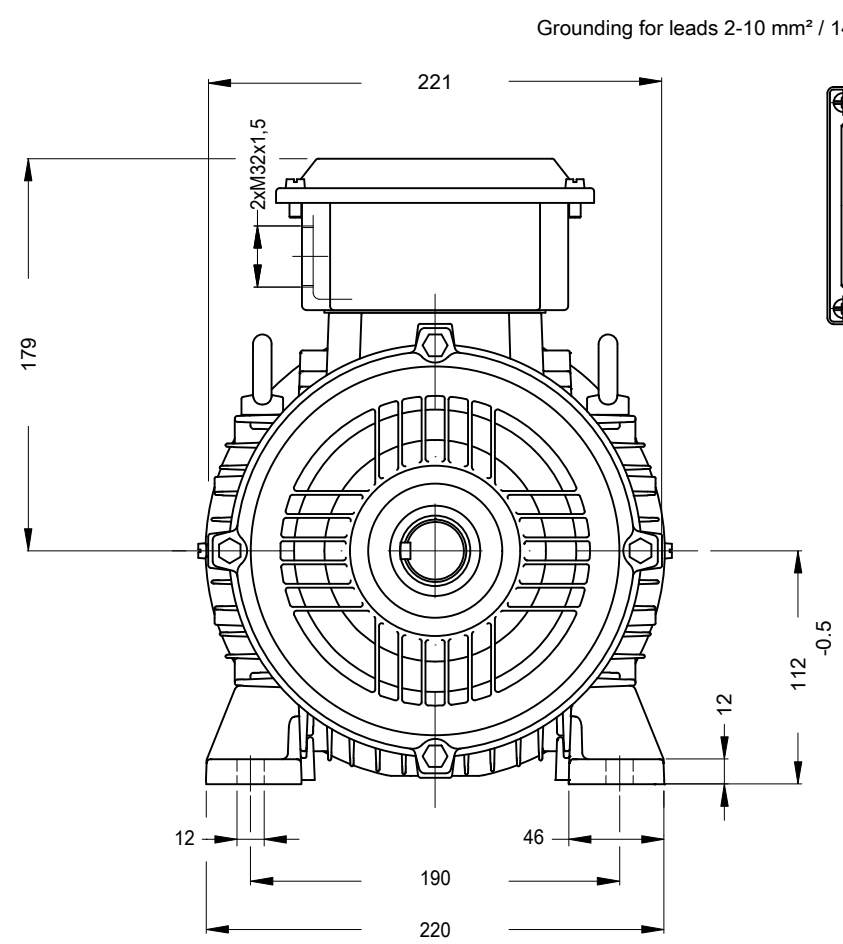


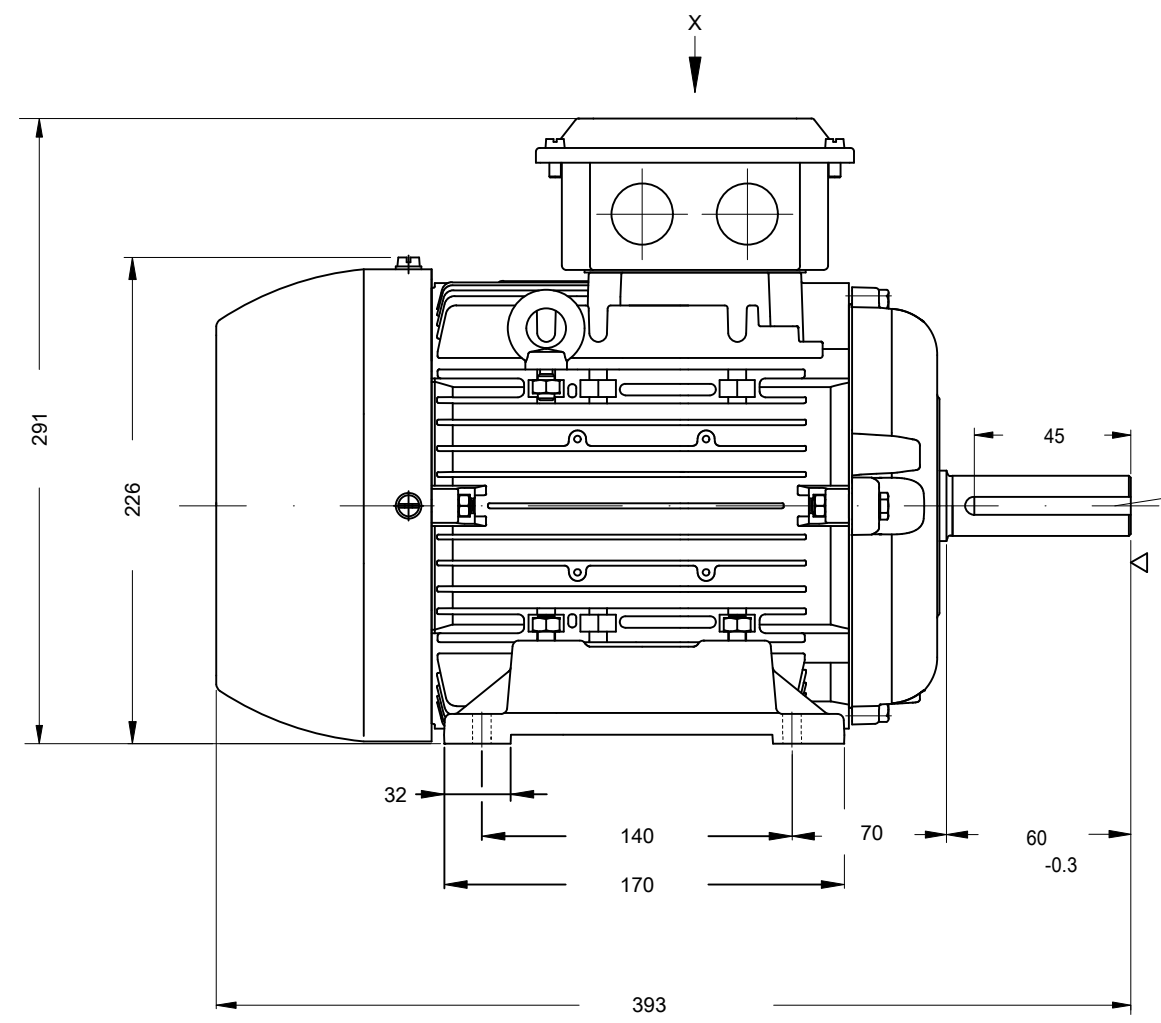
1 2 3 4 5 6

A
B
C
D
E

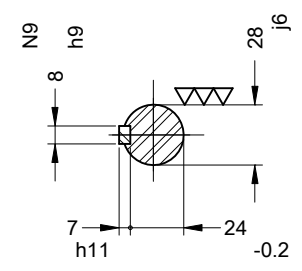


View X

Grounding for leads 2-10 mm² / 14-7 AWG



Center hole
DM10 WEG WPR-7339
(DIN 332)



DE Shaft End

Dimensions in mm

Color RAL 7000
Painting plan 201A
Mounting B3T

						PIRWUSER								00	
ECM	LOC	SUMMARY OF MODIFICATIONS				EXECUTED	CHECKED	RELEASED	DATE	VER					

EXECUTED	PIRWUSER		THREE PH. MOTOR W20
CHECKED			FRAME 112M IP55 TEFC
RELEASED			

PREVIEW

WDD 00



1.5 kW 08 Poles 50 Hz

A REL. DATE WEG NANTONG [Global Sales] SHEET 1 / 1