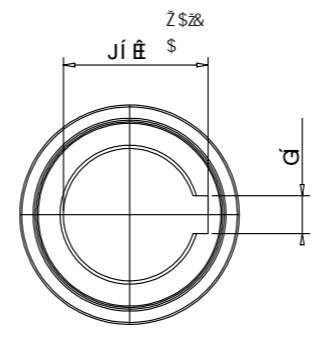
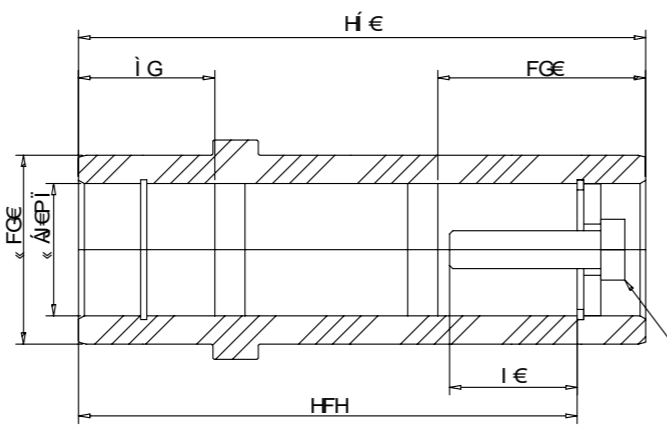
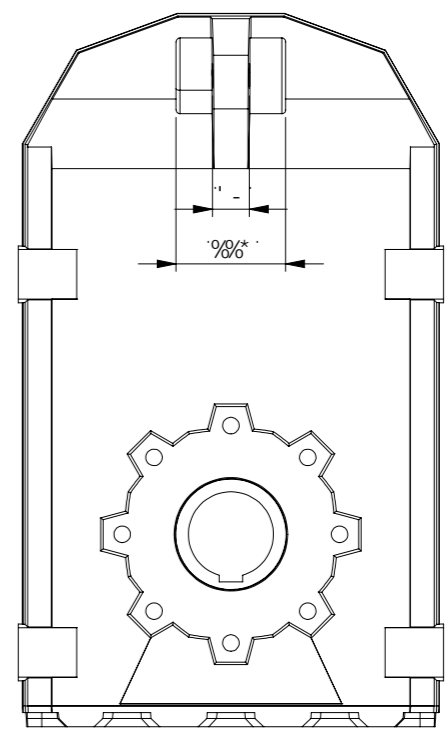
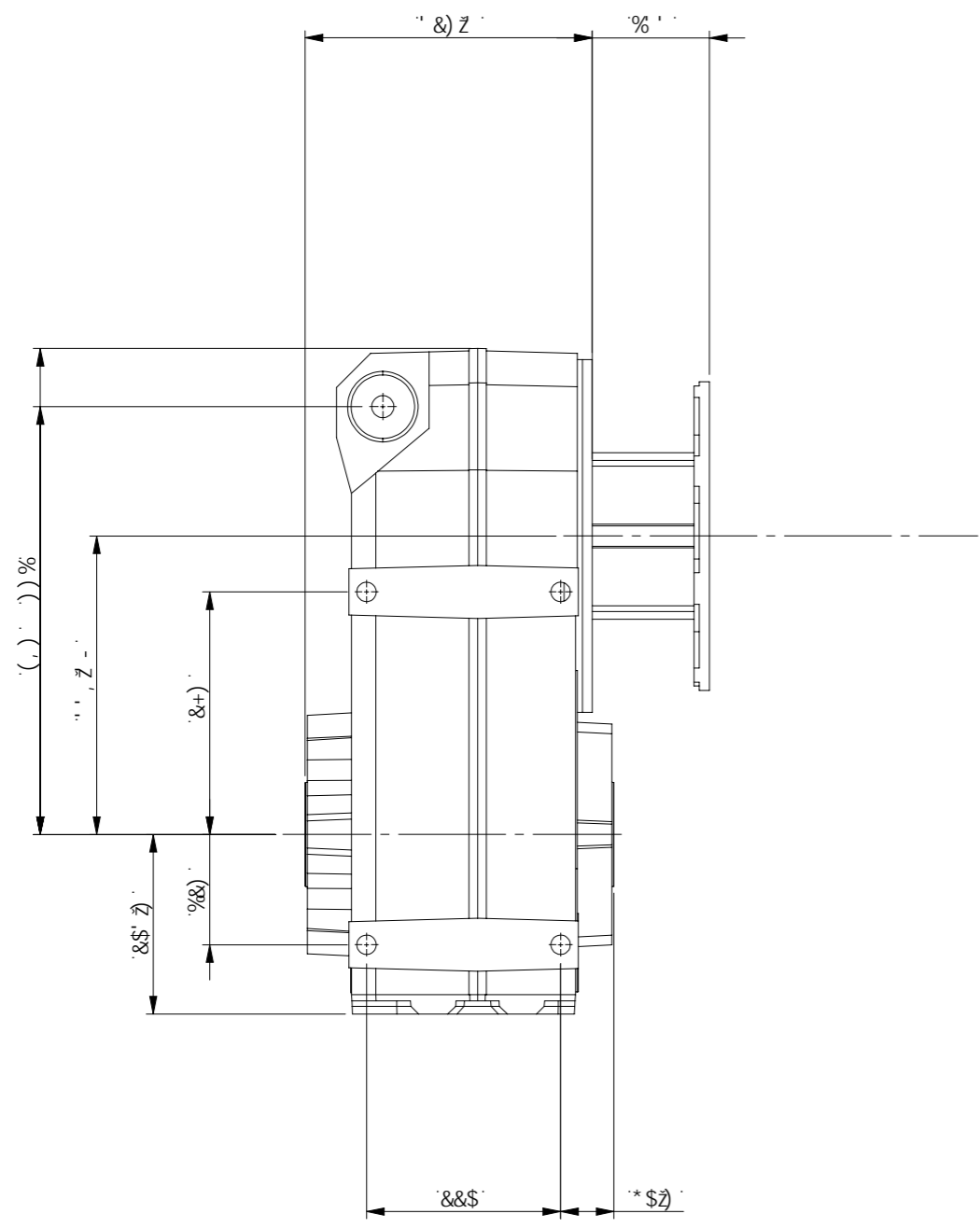


DfcdjYXUXYXUK9; 179GH5F=DfcjVXUUFYdfcXI; ~c:ci; i; gc;gYa; 'U; hcfjnu; ~c dffj ju"
 DfcdYfmicZK9; 179GH5F=Dfcj; jVjYX'YdfcXI; Wjcb cf i' gY' k; jh; ci; haffYj; ci; g; U; h; cfjnujcb"
 DfcdjYXUXYXUK9; 179GH5F=Dfcj; jVXUUFYdfcXI; Wjcb; c; i; gc; gJb; dYfa; jgc;



89H5@9'9-L C'89'G5@85'J5N58C
 CI HDI H'<C@@CK 'G<5: H'89H5=@
 89H5@@9'89@9>9'89'G5@85'<1 97C
 fGYa 'YgWU'U#Bc'gWU'Y#G'b'YgWU'UL

D5F5:"A G d €
8-B-''

18 ja Ybg YgYa 'a a #8 ja Ybgc;bg;b'a a #8 ja Ybgc;byGyb'a a

5U^_] 0- -
 ? 0] U
 5U^_] 0SY_ ^
 DIMENSIONAL WCG20 V10

WEG CESTARI REDUCTORES	
6cSQQ2 DSQV2 6cSQQ	
5Uc^X_ ?x 5Uc^Y^W_ ?x 5Uc^U_ ?x	

XFEA000AFI €S

Gubc: _ j _ i